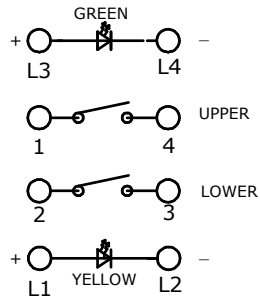
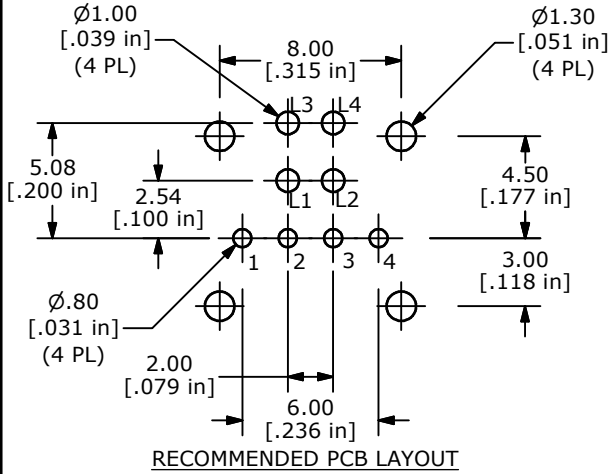
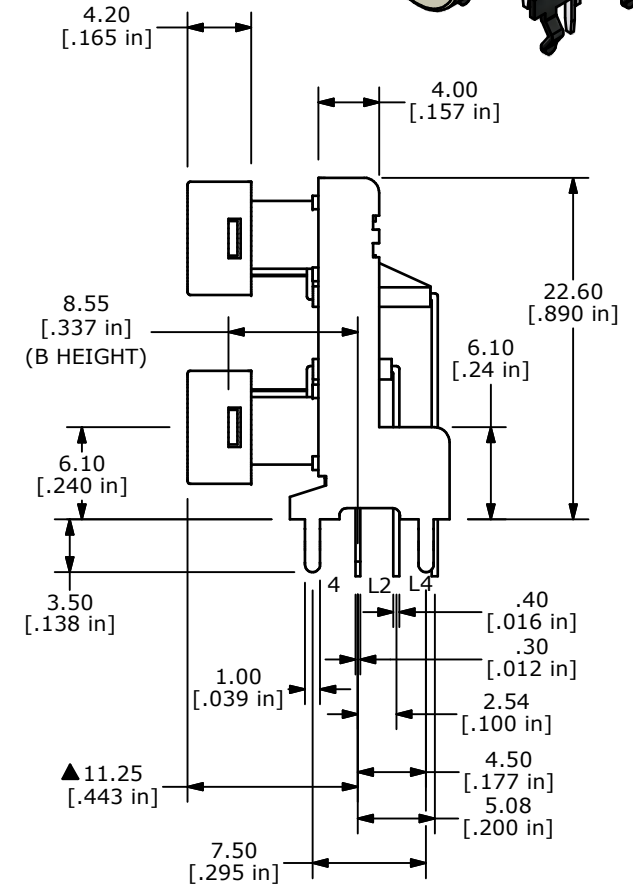
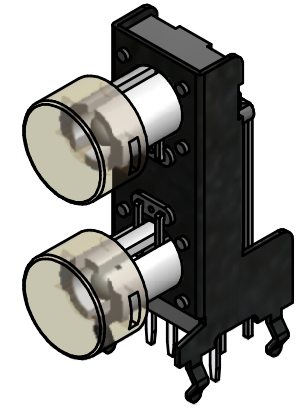
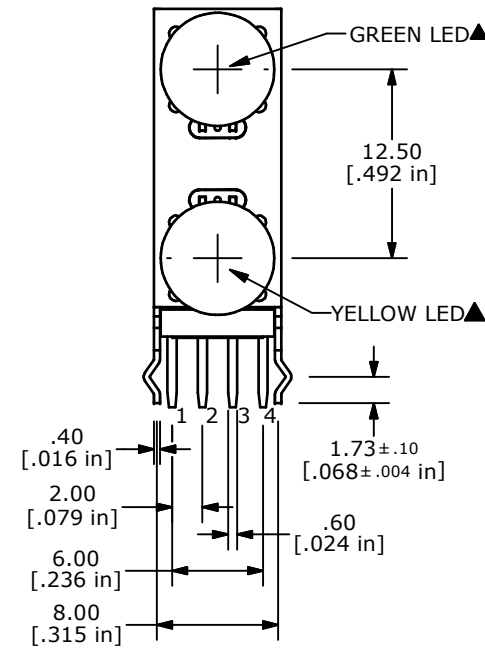
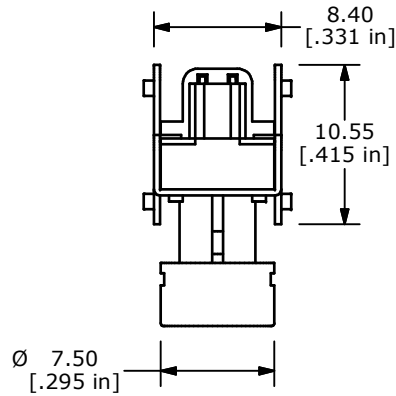


LED SPECS	UNITS	GREEN	YELLOW
FORWARD CURRENT	mA	20	20
FORWARD VOLTAGE	V	2.1 TYP - 2.5 MAX	2.0 TYP - 2.5 MAX
LUMINOUS INTENSITY	mcd	600 TYP	2700 TYP



- NOTES:**
1. ALL DIMENSIONS IN MM
 2. GENERAL TOLERANCE: X.X=±0.4
X.XX=±0.25
 3. TERM. NOS. FOR REFERENCE ONLY.
 4. CONTACT RATING: 50mA @12VDC
 5. TRAVEL: 0.25 ±0.1mm
 6. CONTACT RESISTANCE: 100 Milli-Ohms Max.
 7. OPERATING FORCE: 160 ± 50gf
 - ▲ 8. CONTACT MATERIAL: SILVER
 9. MECHANICAL LIFE: 500,000 CYCLES
 10. OPERATING TEMP: -20°C TO 70°C
 - 11▲ DENOTES CRITICAL PARAMETER.
 - ▲ 12. PACKAGE: TRAY/ 84 PIECES PER
 13. 2002/95/EC (ROHS) COMPLIANT



TITLE TL3253BGBBYBF160Q

A	21232	RELEASE FOR PRODUCTION	9/17/13	EBP
REV	PCR NO	DESCRIPTION	DATE	BY
THE INFORMATION CONTAINED IN THIS DOCUMENT IS PROPRIETARY TO E-SWITCH AND IS NOT TO BE COPIED OR TRANSFERRED				

SCALE	DATE	DR	DWG	REV
	9/17/2013	EBP	B060009	A